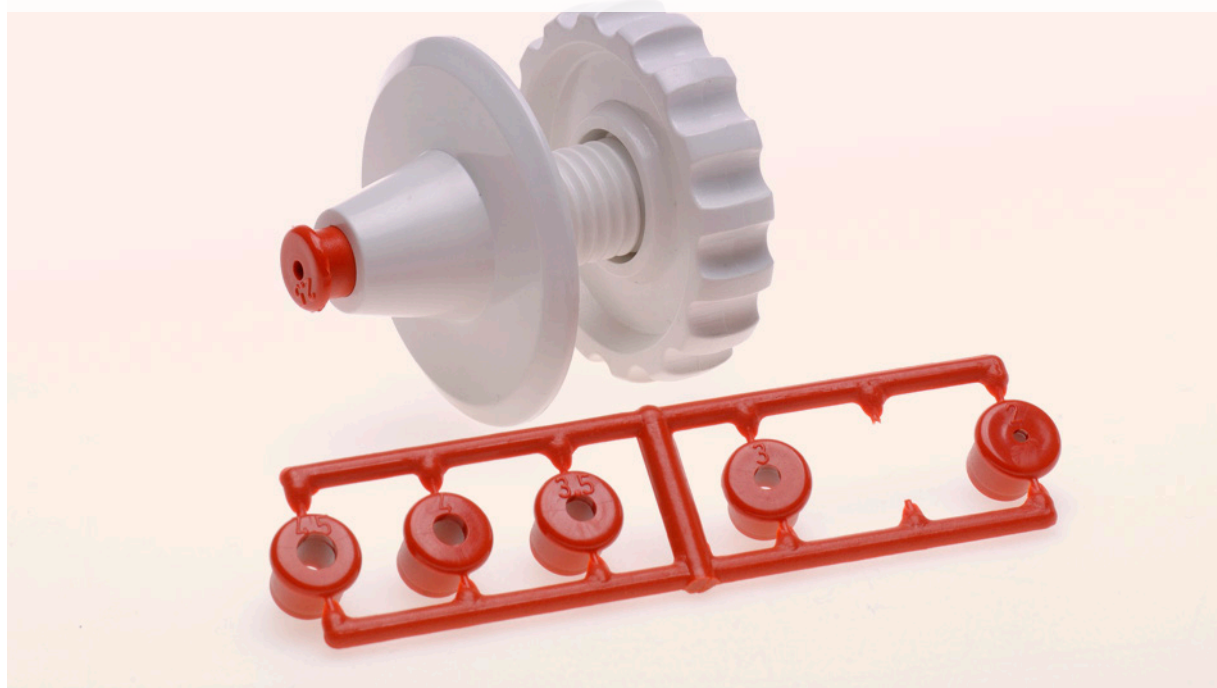


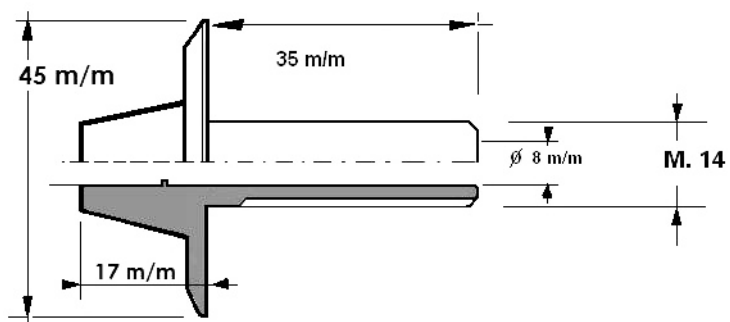
PM.C CONICAL SAMPLING POINT (with Nut)



MODELS:

PM.C ABS White

SIZE:



- **Design:** According to picture and dimensional plane.
- **Production:** ABS White colour (other colours on request).
- **Includes:** NUT to fasten in false ceilings.
- **Includes:** 6 interchangeable calibrated points of 2 / 2.5 / 3 / 3.5 / 4 / 4.5 mm.

MATERIAL:

ABS (Acrylonitrile-Butadiene-Styrene)
Robust polymere with physic features for optimum strength to expansion and impact, hard resistance, high longevity, high resisting to temperatures bellow 0°.

ABS is a Halogen-free thermoplastic.

Maximum temperatures of use. -35° to 60°