

## TE.25/10 EQUAL TEE for 10 mm capillary



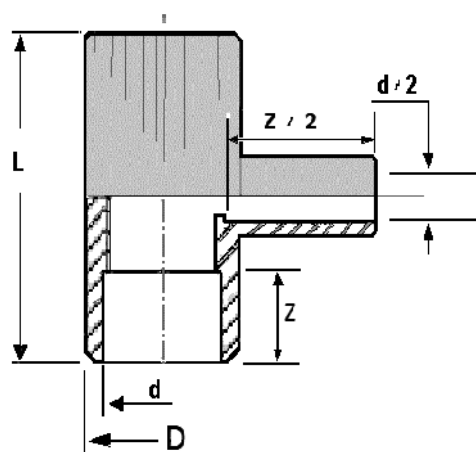
**MODELS:**

- TE.25/10 ABS Red
- TE.25/10 B ABS White
- TE.25/10 RF ABS Fireproof Red

**SIZE:**

*Quotes in Millimeters*

- D =  $\varnothing$  32,5
- d =  $\varnothing$  25
- d-2 =  $\varnothing$  10
- Z = 20
- Z-2 = 22
- L = 65



*Presentation: 5 units bag.*

**MATERIAL:**

ABS (Acrylonitrile-Butadiene-Styrene)  
Robust polymere with physic features for optimum strength to expansion and impact, hard resistance, high longevity, high resisting to temperatures bellow 0°.

ABS is a Halogen-free thermoplastic.

Maximum temperatures of use. -35° to 60°