

TE.25/8 EQUAL TEE for 8 mm capillary



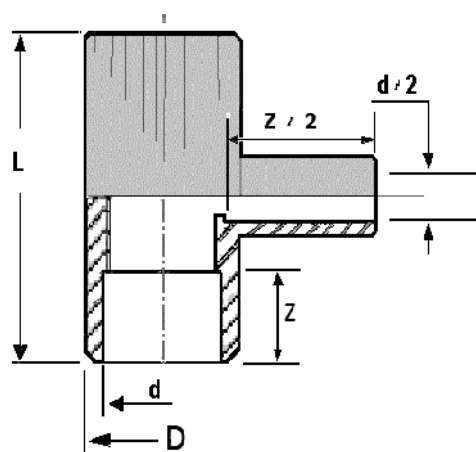
MODELS:

- TE.25/8 ABS Red
- TE.25/8 B ABS White
- TE.25/8 RF ABS Fireproof Red

SIZE:

Quotes in Millimeters

- D = Ø 32,5
- d = Ø 25
- d-2 = Ø 8
- Z = 20
- Z-2 = 22
- L = 65



Presentation: 5 units bag.

MATERIAL:

ABS (Acrylonitrile-Butadiene-Styrene)

Robust polymere with physic features for optimum strength to expansion and impact, hard resistance, high longevity, high resisting to temperatures bellow 0°.

ABS is a Halogen-free thermoplastic.

Maximum temperatures of use. -35° to 60°