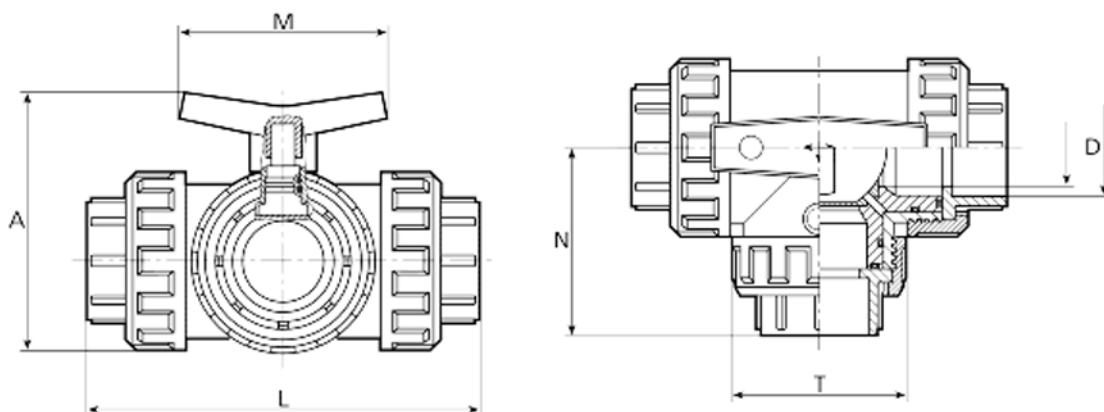


## VAL.3V 3-WAY VALVE for $\varnothing$ 25 mm pipe



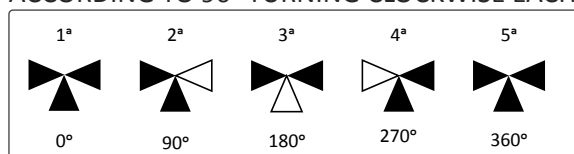
SIZE:



Quotes in Millimeters

D = 25  
L = 123  
A = 87  
M = 85  
T = 55  
N = 62

OPENING AND CLOSING POSITION IN VALVE JOININGS,  
ACCORDING TO 90° TURNING CLOCKWISE EACH



DESCRIPTION:

3-WAY VALVE of reduced size ideal to be installed in pipes of 25 millimeters of diameter. Due to its dimensions it is easily installed with standard clips or brackets without supplements and without lifting pipe lines on the wall.