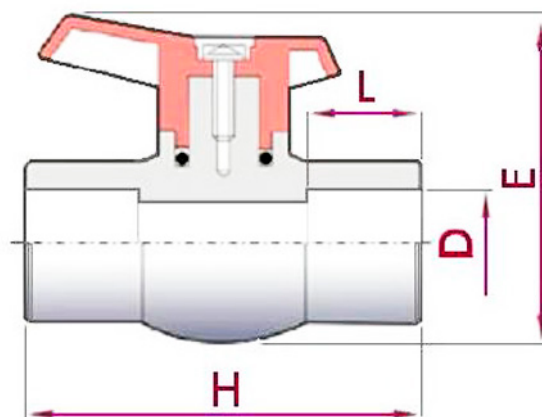


VAL.RE REDUCED VALVE for \varnothing 25 mm pipe



SIZE:

Quotes in Millimeters

- D = 25
- H = 90
- L = 24
- E = 75

Presentation: 1 unit.

DESCRIPTION:

Ball VALVE of reduced size ideal to be installed in pipes of 25 millimeters of diameter. Due to its dimensions it is easily installed with standard Clips or Brackets without supplements and without lifting pipe lines on the wall.

VALVE	SECTION	ASD SYSTEMS
	DATE	MARCH 2015
REDUCED for \varnothing 25 mm pipe	REVISED	J. VALLS
	REF.	VAL.RE